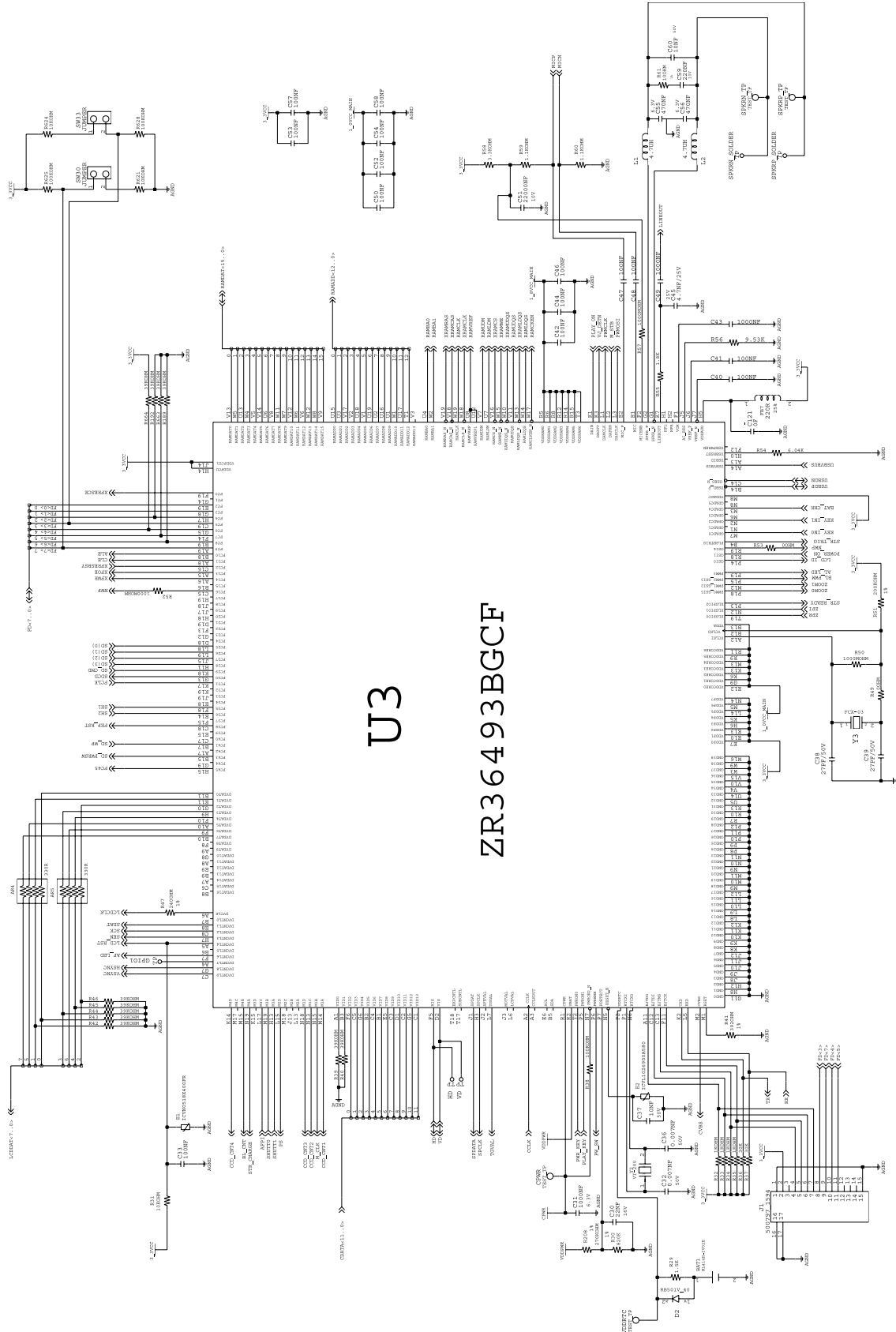
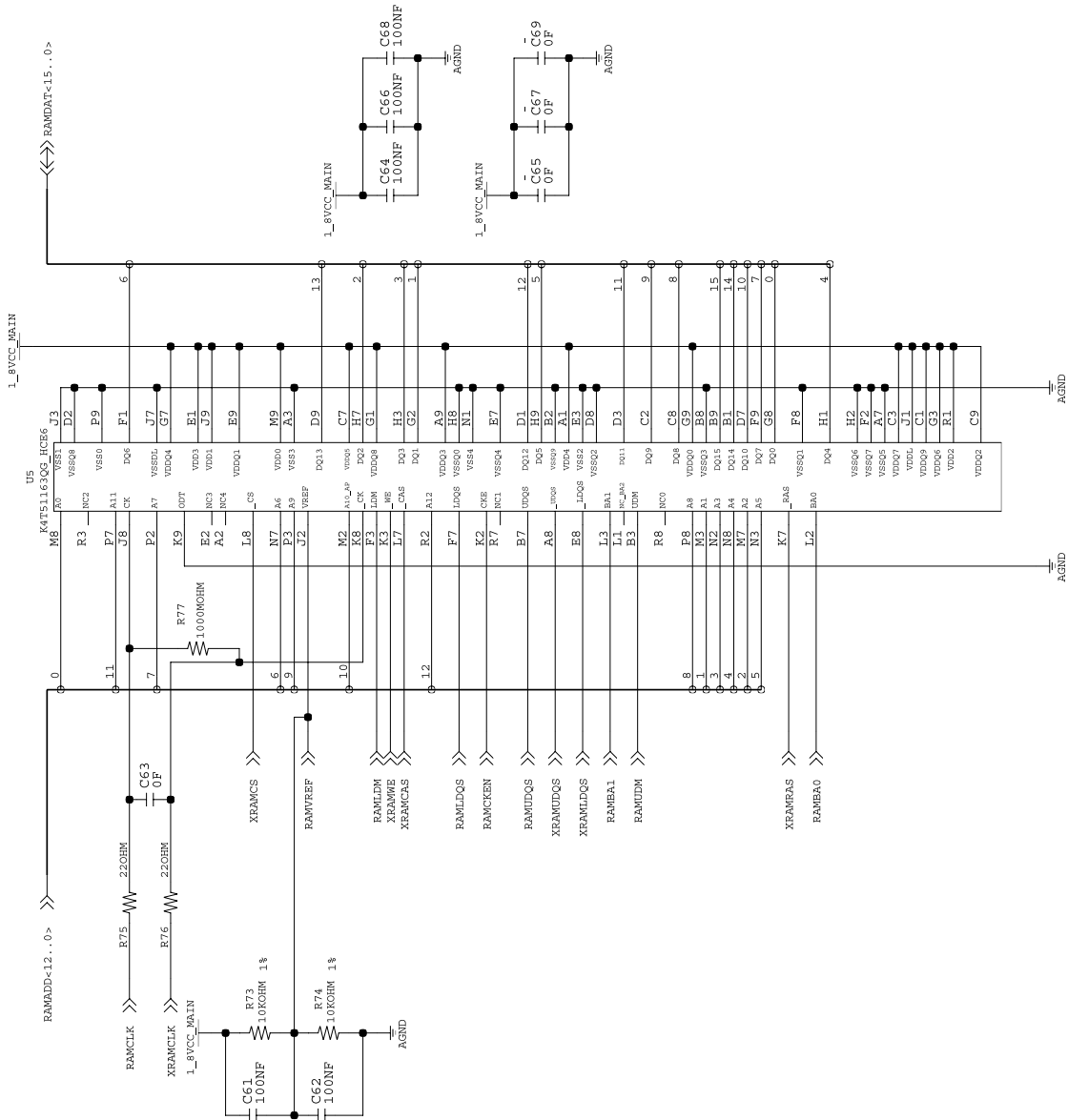


VIII. CIRCUIT DIAGRAM

1) MAIN_PCB_1

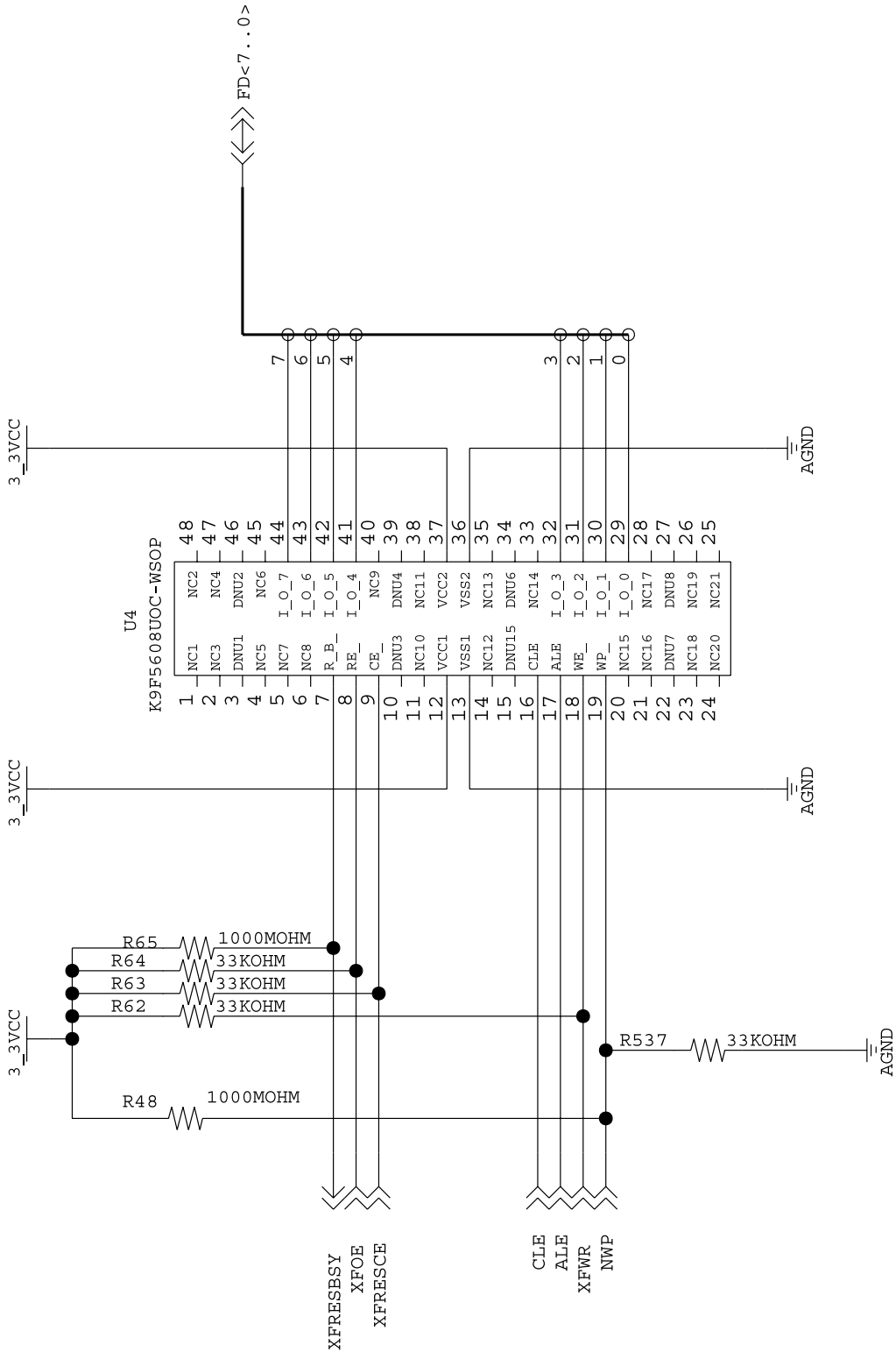


2) MAIN PCB_2 (DDR2-SDRAM)

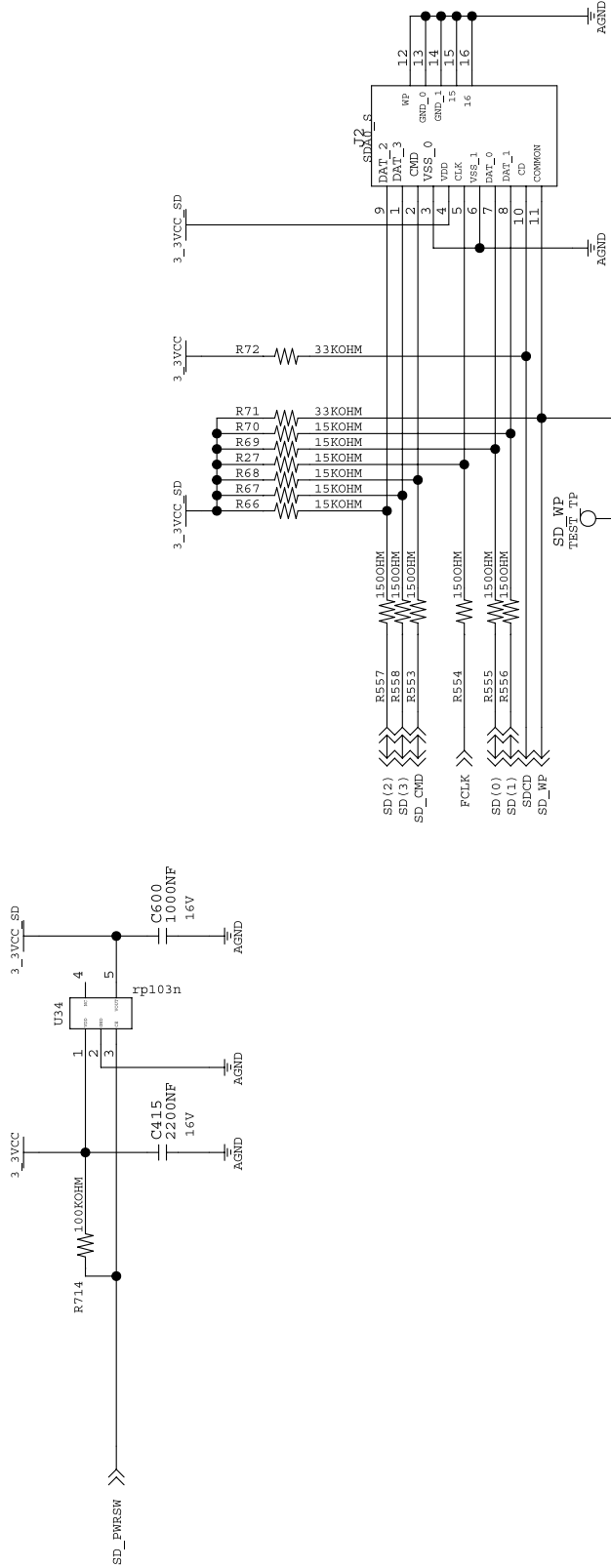


VIII. CIRCUIT DIAGRAM

3) MAIN PCB_2 (FLASH_MEMORY)

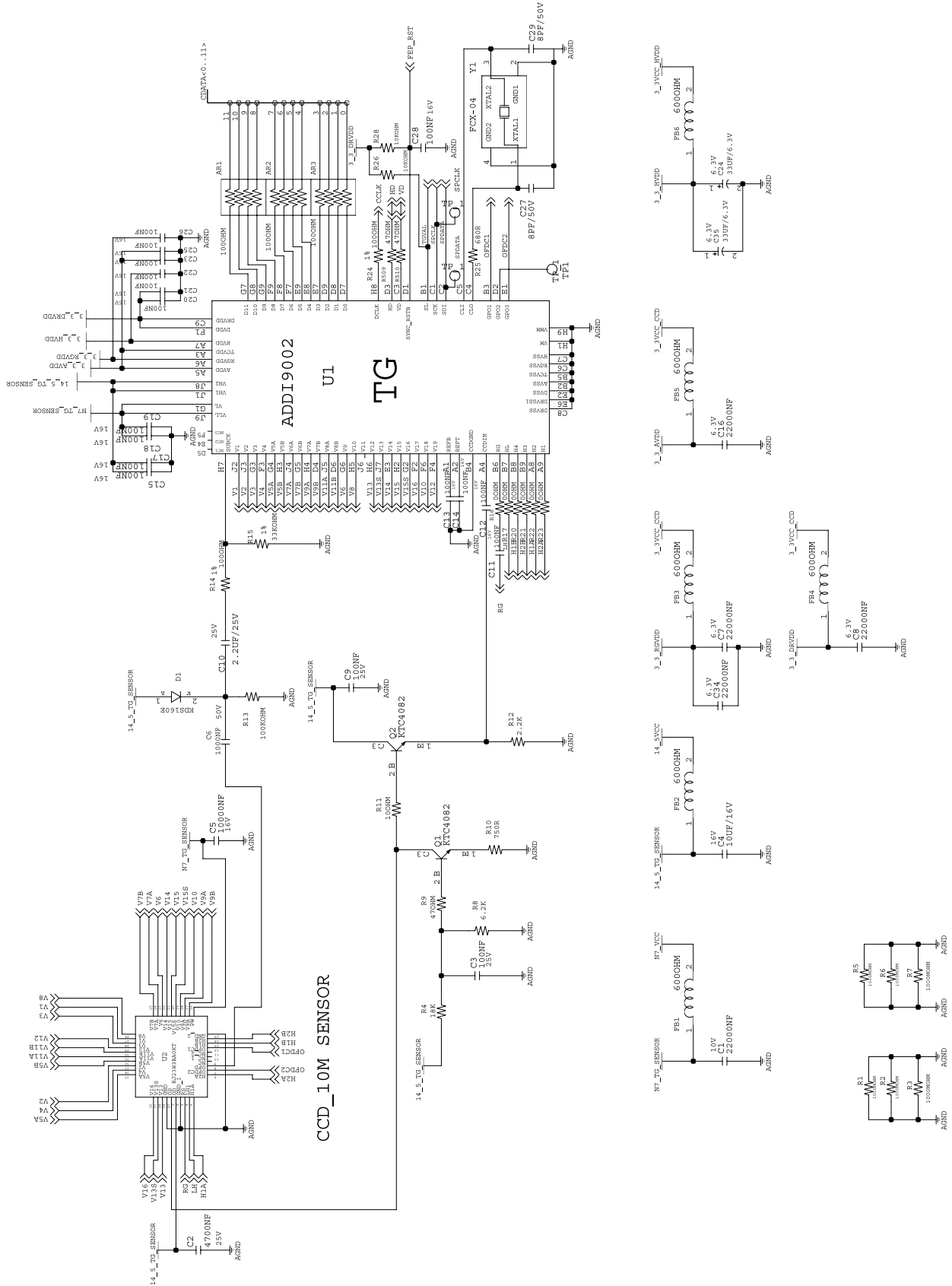


4) MAIN PCB_2 (SD CARD_SOCKET)

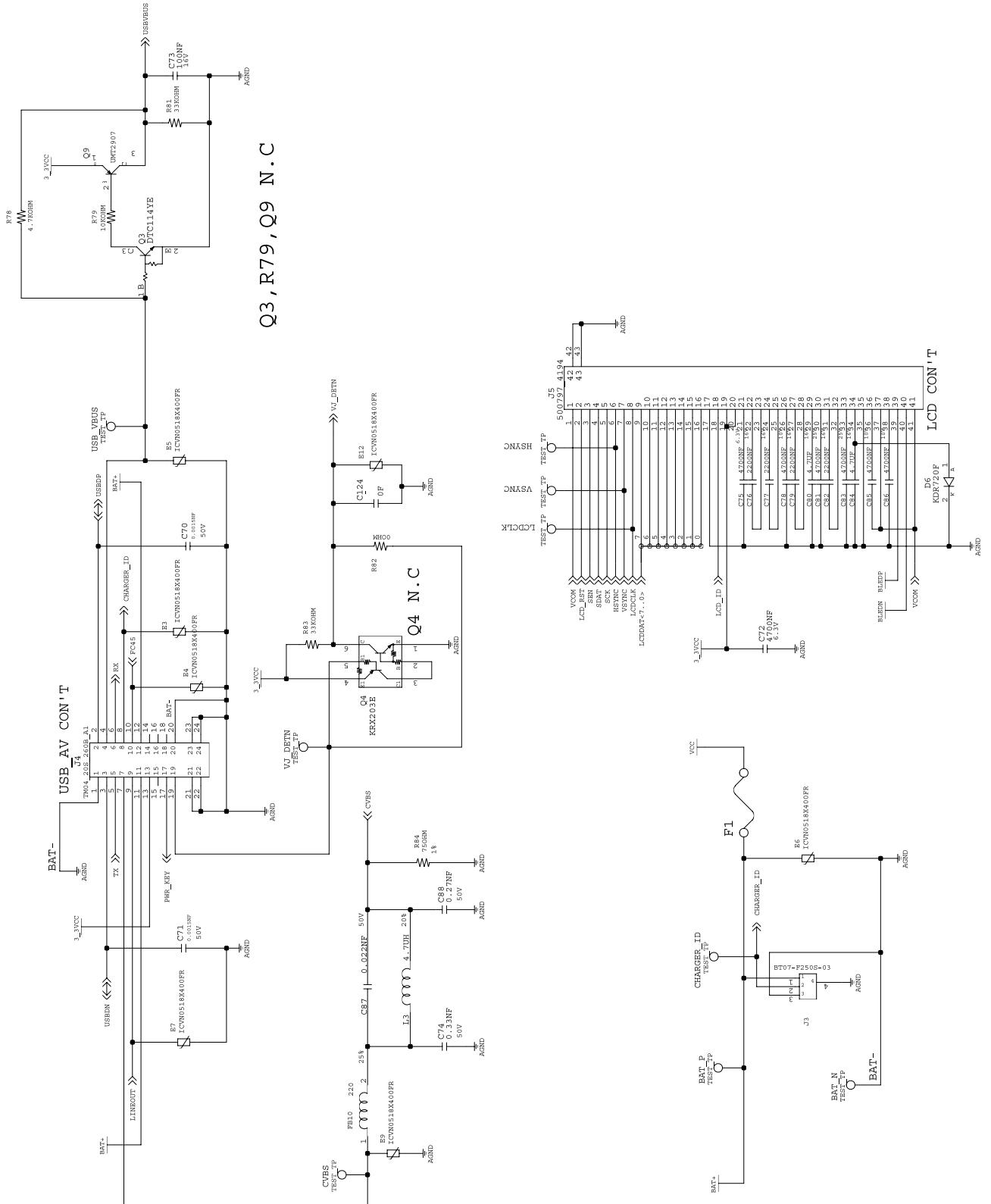


VIII. CIRCUIT DIAGRAM

5) MAIN PCB_3

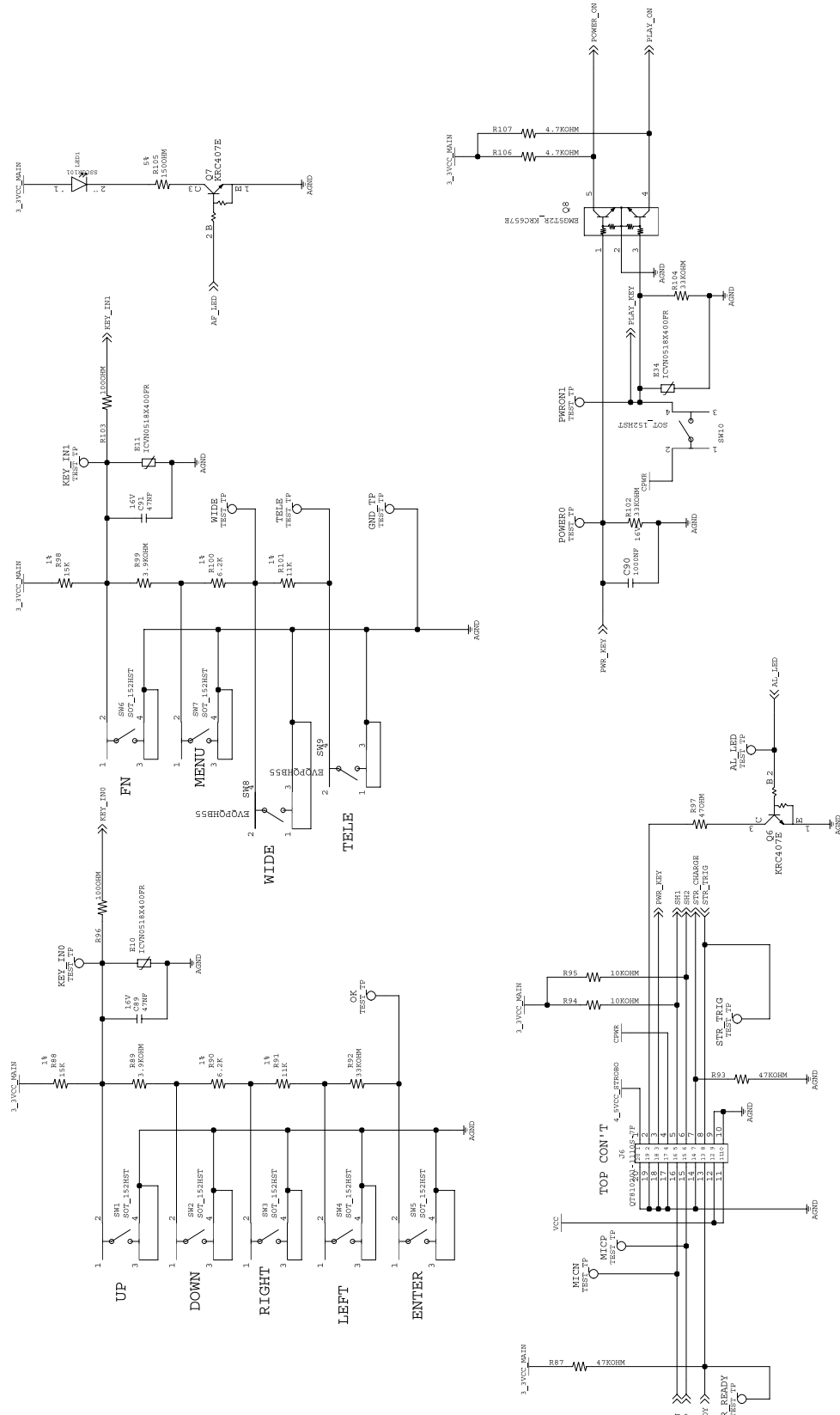


6) MAIN PCB_4



VIII. CIRCUIT DIAGRAM

7) MAIN PCB_5



VIII. CIRCUIT DIAGRAM

9) MAIN PCB_7

